



CMI FASTENERS QUALITY MADE CERTAIN

Phone: +64 9 270 0522 • Fax: +64 9 270 0533 • sales@cmifasteners.co.nz

MANUFACTURING CAPABILITES

"Welcome to CMI Fasteners Limited and our focus on our manufacturing strengths in this brochure. At CMI we are pleased to serve you as not only a supplier of some standard fastener items but as a designer and manufacturer of fasteners tailor made to suit your application. This opportunity gives you high quality New Zealand made products made to your specification with small minimum order quantities, short lead times and the ability for us to alter your fastener as required without huge stocks to work through. This is a particular advantage when you are developing a new product or improving your current ones.

LEAD TIMES: Typical lead times are overnight for ex-stock items,(if available at time of order). 3 to 4 weeks for manufactured items, depending on the finish,(plating) required. A 12 week lead time is required on new products depending on tooling, raw materials and design sign off requirements.

We also highlight the fact that regular physical testing of our products is a key in ensuring you are getting the right product for your application every time. Should any fasteners you use fail we are available to help research the reasons and recommend the correct fastener and its application.

We are the specialists in making small fasteners in New Zealand and we are ready to help you improve your business. Let us take care of the technical fastener details whilst you take care of keeping your business growing and improving."

CMI Mission Statement

CMI is committed to pursuing customer satisfaction in order to be the preferred New Zealand manufacturer and supplier of small fasteners by providing quality products and excellent service.

CMI Quality Policy

It is the policy of the company to design, manufacture and supply quality fasteners on time and to specification to satisfy customer needs.

As New Zealand's largest and most flexible small fastener manufacturing plant we are able to provide consistent product quality and local technical support to meet yours and your customers needs.



CMI Fasteners Limited has a broad range of capabilities beyond what most buyers and users of fasteners are currently aware of.

Manufacturing Capabilities

Size

Wood screws and Self Tappers
4 Gauge to 12 Gauge

Machine Screws
M2 to M6
1/8 to 1/4

Materials

Stainless Steel – 316 and 302
Aluminium
Steel
Copper
Brass
Silicone Bronze

Head Style

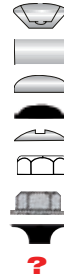
Standard

Round
Counter Sunk
Pan



Special

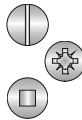
Raised Counter Sunk
Cheese
Mush
Mush Washer
Wafer
Hex
Hex Washer
Bugle
Your preferred style ?



Recess Type

Standard

Slot
Pozi
Square Drive



Special

Phillips
Oneway
Pozi/Slot
Triwing
Phillips/Slot
Your style?



Thread Types

Standard

Metric Metal Thread
Imperial Metal Thread
Twinfast
AB

Special

Triboluar
B.A.
U.N.C.
U.N.F.
Drivfast
A-Type
B-Type

Finish Types

RoHS Compliant
Zinc Plate
Mechanical Galvanizing

Other

Black Zinc Plate
BMA
Nickel
Hot Dip Galvanised
Zinc Chromate

Special Variations and Nails

Nails

- Flat Head
- Pentagon Head
- Check Head
- Square shank copper nails
- Rose Head
- Star Head
- Annular grooved

Shank Slotting

- Type "23"
- Type "25"
- Type "17"

CMI FASTENERS

QUALITY TESTED

AND MADE CERTAIN

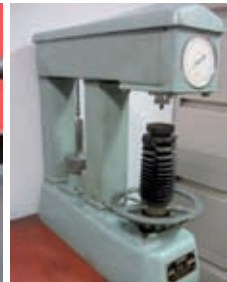
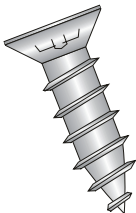
Where the customer requires something different in small fasteners CMI may be of assistance to realise these needs. As a manufacturer CMI can produce special fasteners to customer requirements.

CMI specialise in made to measure items and can offer experienced technical assistance. "All standard and special parts can be described and selected verbally or we can use your engineering drawings if they are supplied to us.

Special orders are normally confirmed by a signed off sales drawing being circulated to the customer (see example on back page).

We test the screws we make!

If you have fastener failures that you would like assistance with then we can help you. We can help find the cause of the failure and recommend the right solution for you. We are well connected in this industry and with our in-house specialists and their associated technical support through our partner companies we will make sure you have the right quality and type of fastener for your application."

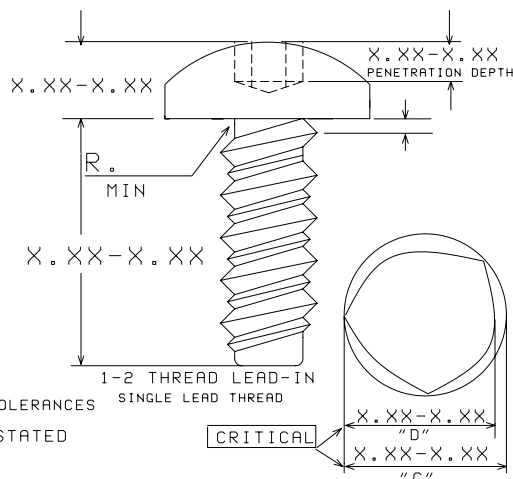
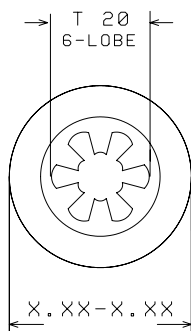


SAMPLE DRAWING FOR CUSTOMER APPROVAL (example only)

Part No: 20xxx55
 Description: MxXxxMM STEEL PAN HEAD 6-LOBE
 TTP-45SL ZINC PLATED



| ISSUED BY/DATE | CHECKED BY/DATE | APPROVED BY/DATE | NOTES |
|----------------|-----------------|------------------|-------------------|
| 01/01/2100 | | | Copyright Applies |



QUALITY ASSURANCE DIMENSIONS AND TOLERANCES
 ALL DIMENSIONS IN MM UNLESS STATED

"Extra notes can be added as required to ensure item is made as per your specification."

Address: 246B James Fletcher Drive,
 Otahuhu, Auckland, 2024
 New Zealand

Phone: +64 9 270 0522
 Fax: +64 9 270 0533

Postal Address: PO Box 22718,
 Otahuhu, Auckland, 1640
 New Zealand

sales@cmifasteners.co.nz
 www.cmifasteners.co.nz